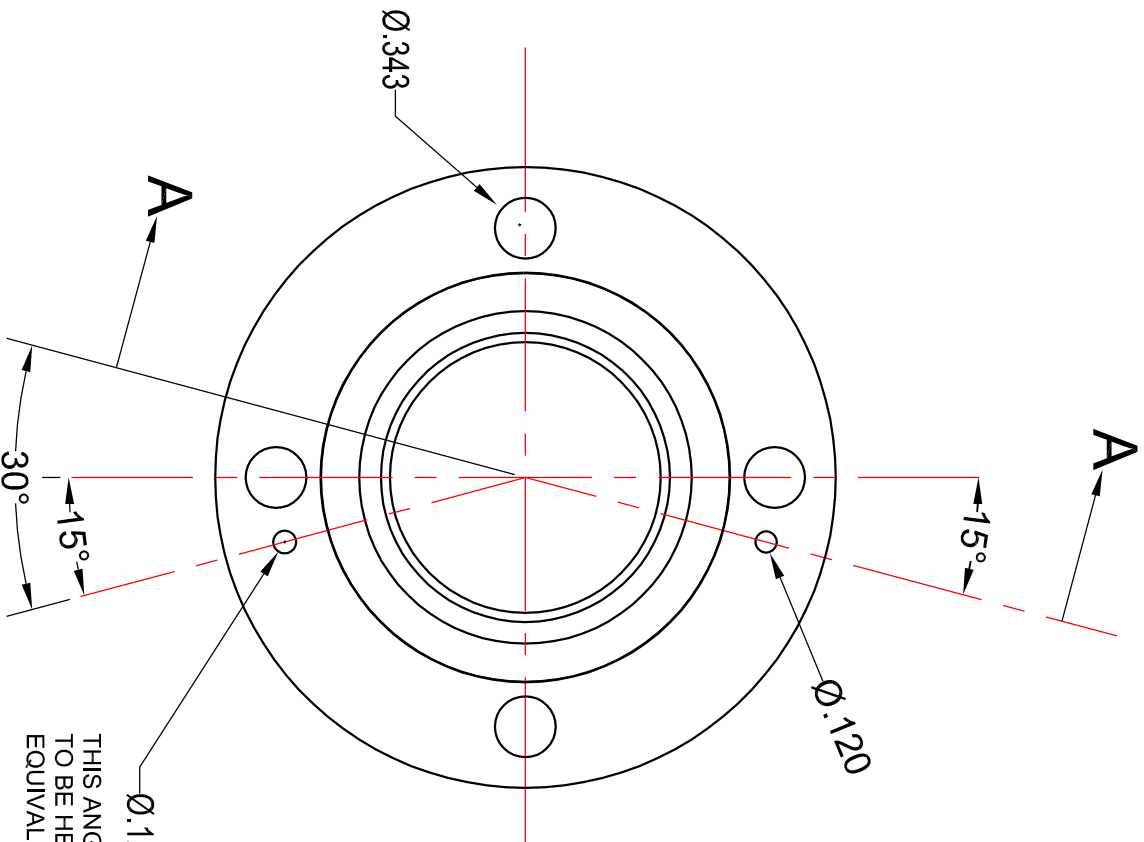
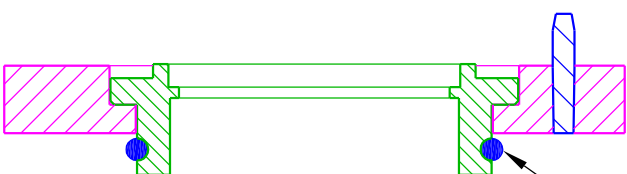
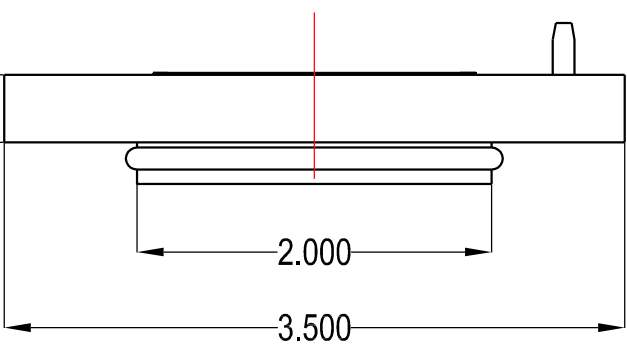


REVISIONS			
REV	DESCRIPTION	DATE	APPROVED



THIS ANGULAR DIMENTION TO BE HELD TO THE EQUIVALENT OF +/- .002



SECTION A - A

NOTE:

- 1.
- 2.
- 3.
- 4.

TOLERANCES (EXCEPT AS NOTED)	
DECIMAL	+ .005
FRACTIONAL	+ 1/64
ANGULAR	+ 1/2 DEG

<p>CM505.0001</p>		<p>CONNECTICUT MICROWAVE CORPORATION 1486 HIGHLAND AVE. CHESHIRE, CONNECTICUT 06410</p>	
		<p>OUTLINE 1 5/8 SWIVEL FLANGE</p>	
MATL	BRASS	SIZE	DWG. NO.
DATE	3/6/97	SCALE	DWN BY MD
			APPROVED BY
			SHEET
			REV