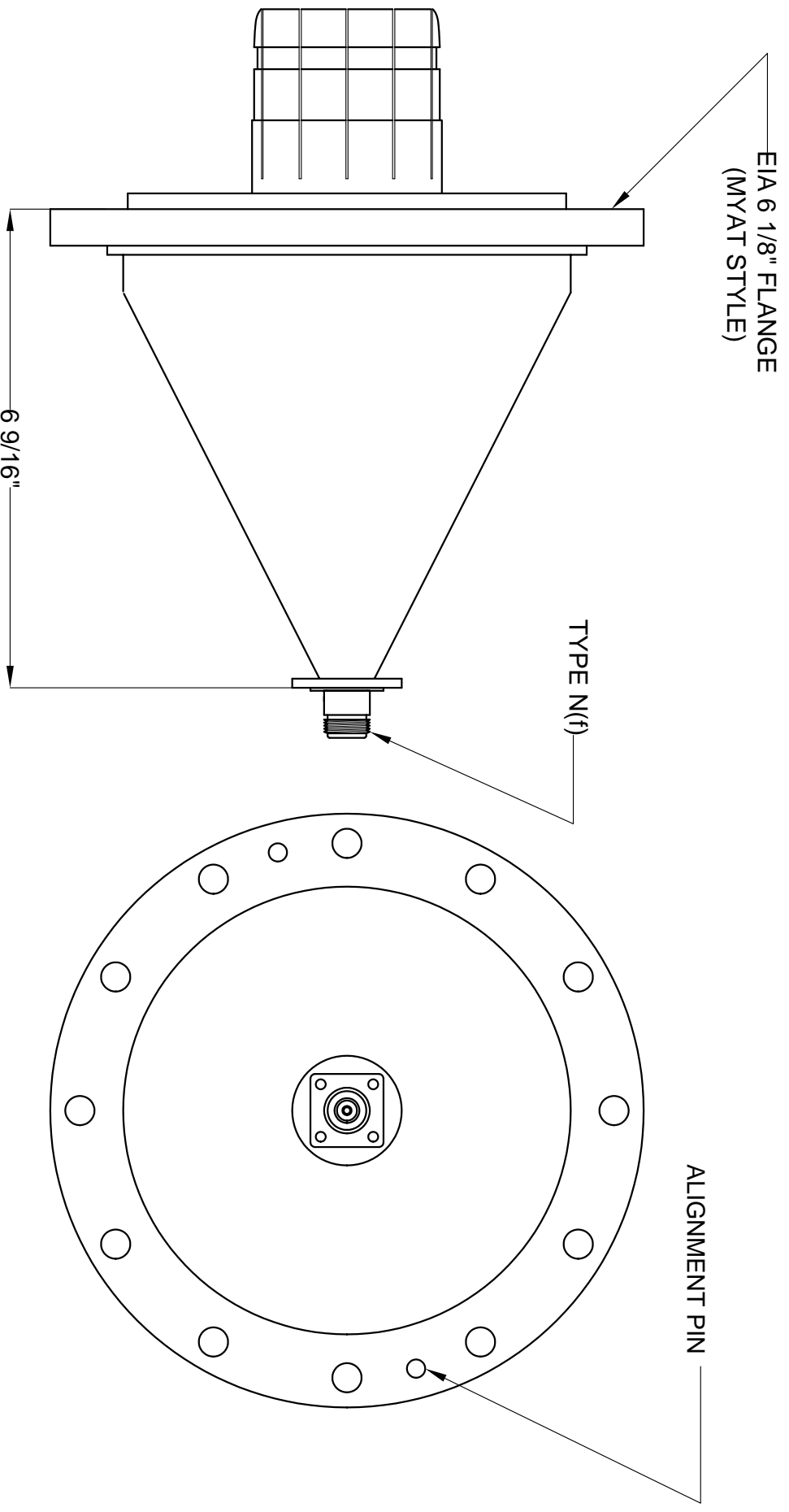


REVISIONS			
REV	DESCRIPTION	DATE	APPROVED
.			



NOTES:
 1. COPPER CONSTRUCTION, WITH BRASS FLANGE

CM563.0000

CONNECTICUT MICROWAVE CORPORATION
 1486 HIGHLAND AVE. CHESHIRE, CONNECTICUT 06410

OUTLINE TRANSITION
 6 1/8" X N(f)

TOLERANCES (EXCEPT AS NOTED)	DECIMAL	FRACTIONAL	ANGULAR	SURFACE FINISH	REV	DATE	MATL
	±.005	± 1/64	±1/2 DEG	32		2/19/99	SEE NOTE