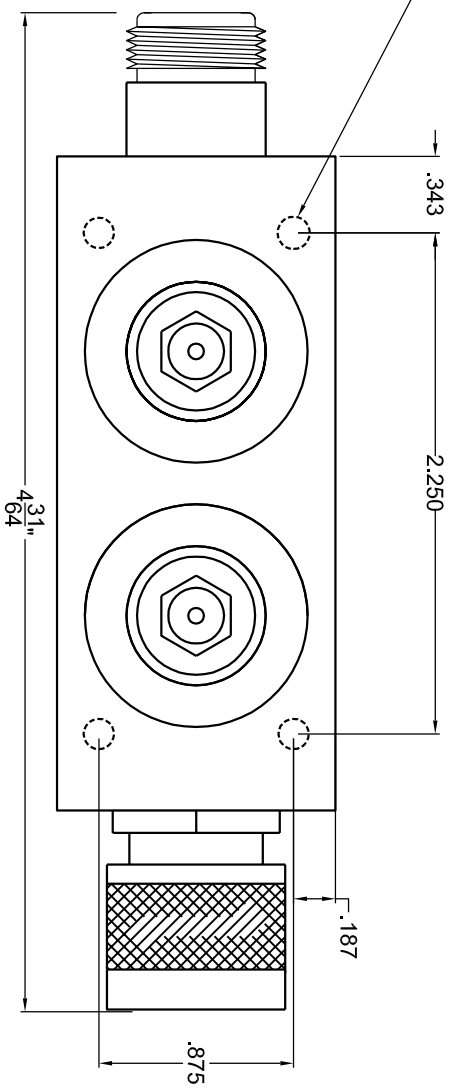


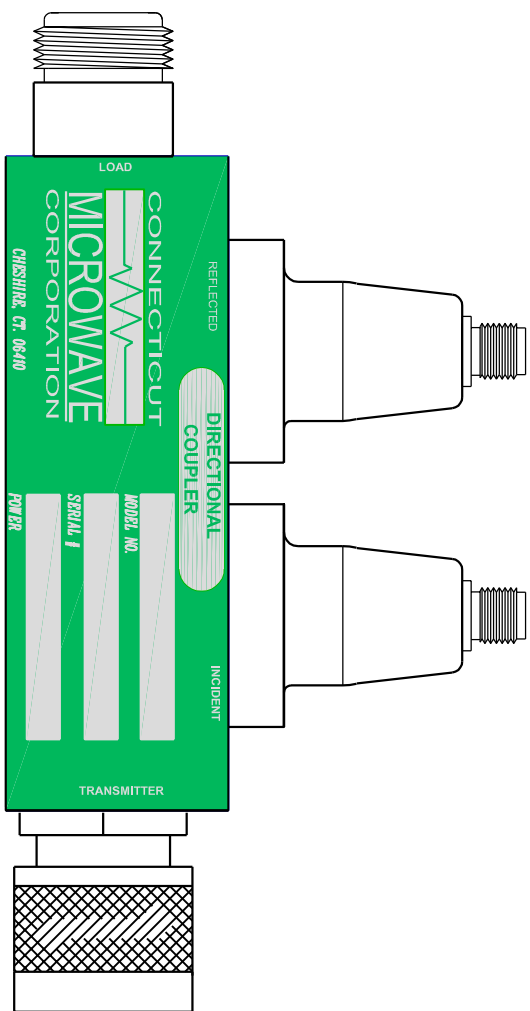
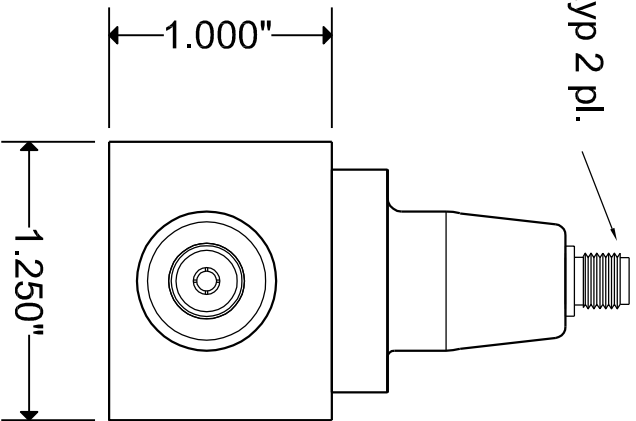
REVISIONS

REV	DESCRIPTION	DATE	APPROVED

MOUNTING HOLES 6-32X1/4 TYP 4 PL



SMA(f) typ 2 pl.



NOTE:

1. IRRIDITE FINISH

CM152.0045

CONNECTICUT MICROWAVE CORPORATION
1486 HIGHLAND AVE. CHESHIRE, CONNECTICUT 06410
OUTLINE BIDIRECTIONAL COUPLER

TOLERANCES (EXCEPT AS NOTED)	DECIMAL +.005	FRACTIONAL + 1/64	ANGULAR + 1/2 DEG	REV 4/2/08	DATE	MATL	DWN BY	SHEET
---------------------------------	------------------	----------------------	----------------------	---------------	------	------	--------	-------